

6mm Standard Laser-Collimator STL01K-D60

High precision Laser-Collimator STL01KHP-D60

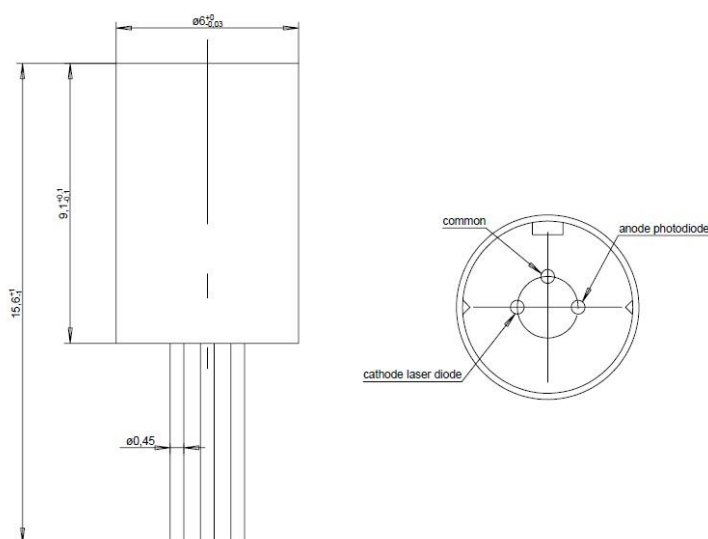
- ▶ High power and high effectiveness
- ▶ Aspheric plastic optic
- ▶ Temperature insensitive optic
- ▶ No aperture
- ▶ Application: Universal reflex sensors and sensor Barrage up to 100m distance

Mechanical Parameter	Specification	Min.	Typ.	Max.
Diameter		5.98mm		6mm
Length		9mm	9.1mm	9.3mm
Material	brass			

Optical Parameter	Specification	Min.	Typ.	Max.
Laser diode	5.6mm (N-Type)			
Wavelength		645nm	650nm	660nm
Output power (LD)			7mW	
Temperature				70°C
Lens	Aspheric Plastic Lens			
Divergence	Beam Diameter at 5m		2.7 x 6mm	
Beam deviation	Chip Tolerance max+/-80µm	0°	0.4°	0,55°
Beam deviation	HP-Version	0°	0.03°	0.057°

Electric Parameter	Specification	Min.	Typ.	Max.
Threshold current			20mA	35mA
Operating current /7mW			30mA	45mA
Operating voltage			2.3V	2.6V
Monitor current /7mW		0.08mA	0.2mA	0.4mA

Temperatures	Specification	Min.	Typ.	Max.
Working temperature	Non-condensing	-10°C		70°C
Storage temperature	Non-condensing	-40°C		85°C



Specifications are subject to change without notice.